

Hi-Tech

THERMIC FLUID FILTRATION PROCESS

CLEAN YOUR OIL UP TO 5 MICRON

Description

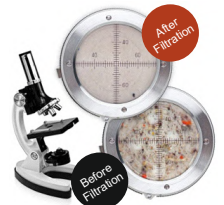
Carbon is always a big problem when we talk about the thermic fluid. With the aging of thermic fluid, the performance of oil and system gets decreased because of the carbon presence in the oil.



Set of two machines with complete in-built facilities

Thermic fluid can be filtered online up to 5 micron using carbon separator and filtration machine. Varnish and water can also be removed by this process.

The expert suggest that carbon removal in every five years in normal working condition is an essential requirement of thermic fluid. The filtration machine is completely online, hence it does not required to drain the oil from the system. Filtration machine will be connected by any inlet or outlet point of thermopac system. Carbon, Varnish and Water will get free from the system after working for few days with maintaining the oil temperature between 60°C to 80°C.



The filtration process also includes the depth and surface filtration through filter cartridge of 3 and 5 microns. We provide four filter chamber with capacity of 10 cartridges in each chamber with complete pump facility.

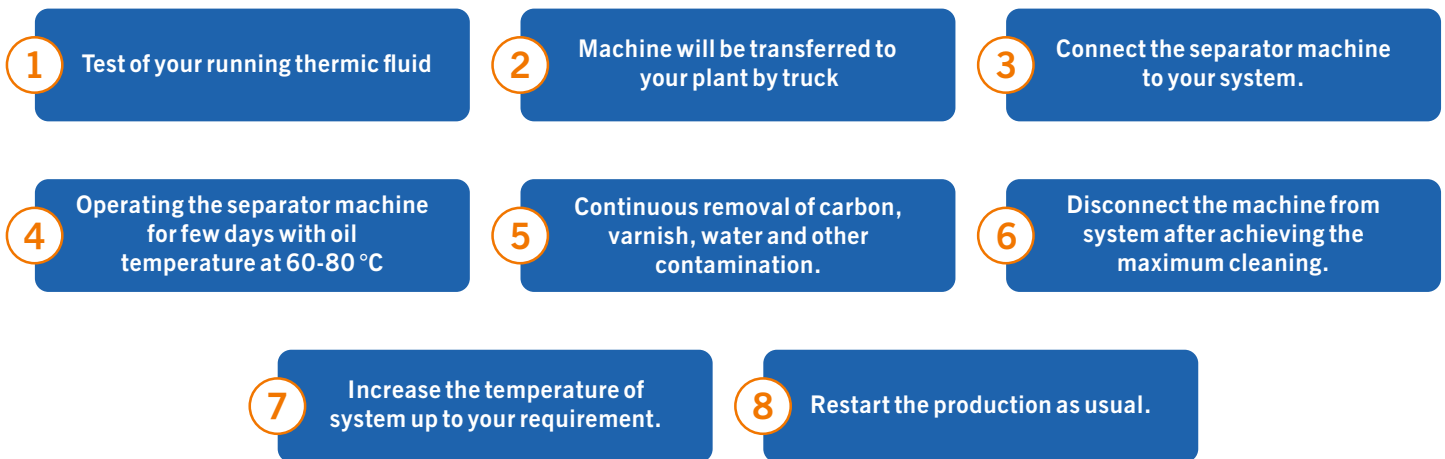
Your thermic fluid will be tested before and after the filtration process. To increase the life of the running thermic fluid, you can get suggestion from our technical team. You will get free testing facility from HI-TECH SOLUTION for next three years on quarterly basis.



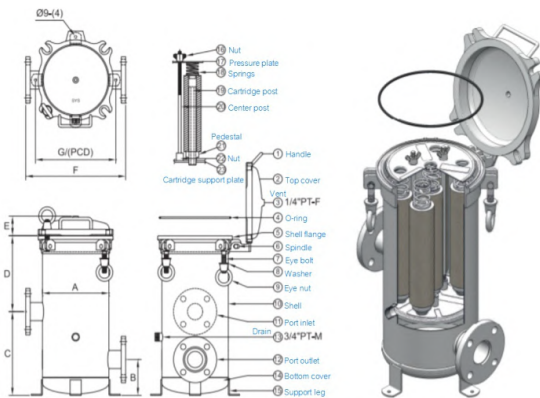
Hi-Tech THERMIC FLUID FILTRATION PROCESS

**CLEAN YOUR OIL
UP TO 5 MICRON**

Work Flow Chart



Advantages of Filtration Process



Four Set of Filter Chambers with 40 Cartridges

- Test of your running thermic fluid.
- Machine will be transferred to your plant by truck
- Connect the separator machine to your system.
- Operating the separator machine for few days with oil temperature at 60-80°C.
- Continuous removal of carbon, varnish, water and other contaminations.
- Disconnect the machine from system after achieving the maximum cleanliness.
- Increase the temperature of system up to your requirement.
- Restart the production as usual.

Headlines

- Experience the standard working of removing carbon, varnish and moisture.
- Proven technology now in India.
- Maintenance cost is always cheaper than replacement.
- Just connect, get filtered and disconnect.
- Simple yet highly effective.
- Our engineers will handle everything.



Removed Carbon and Varnish